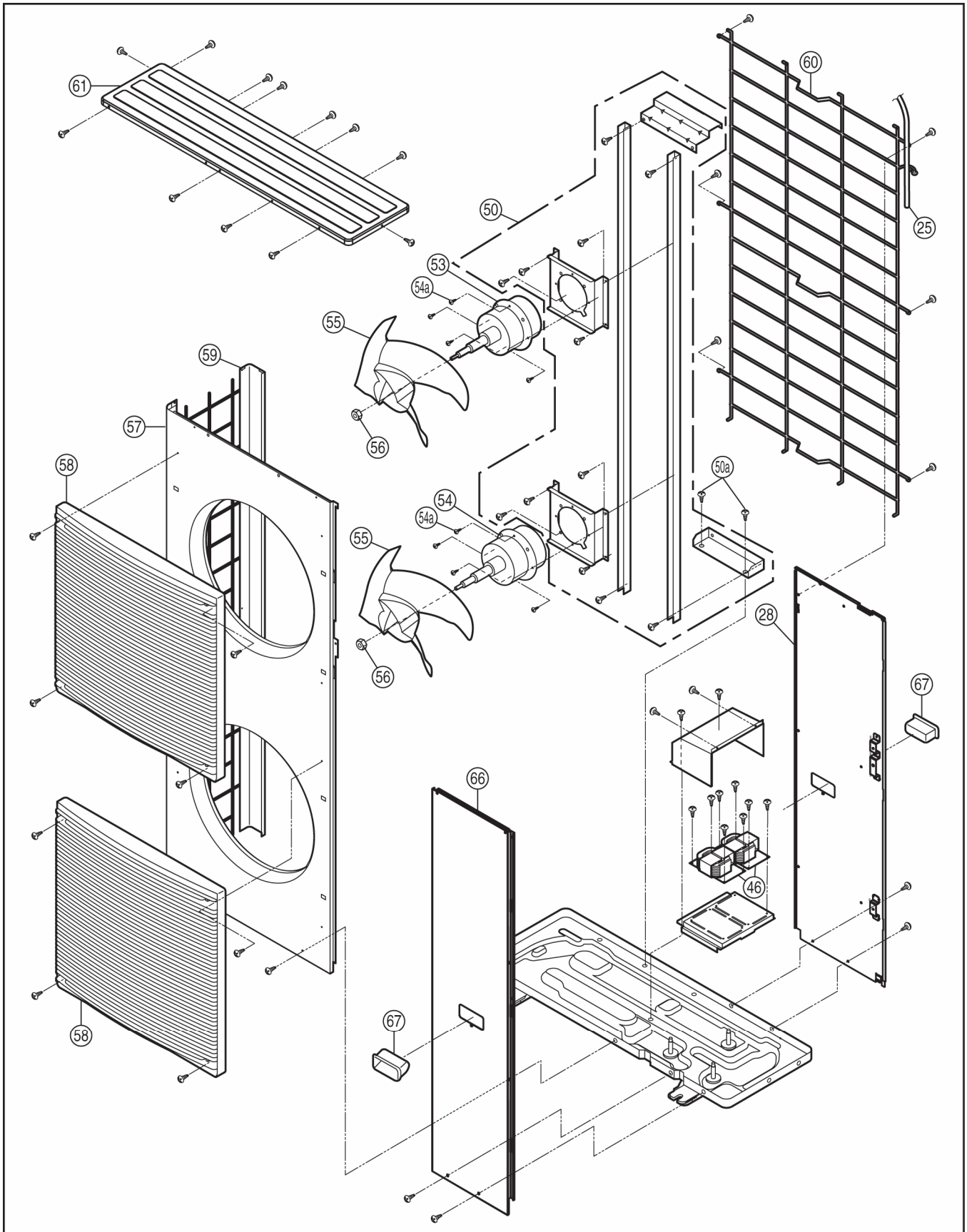
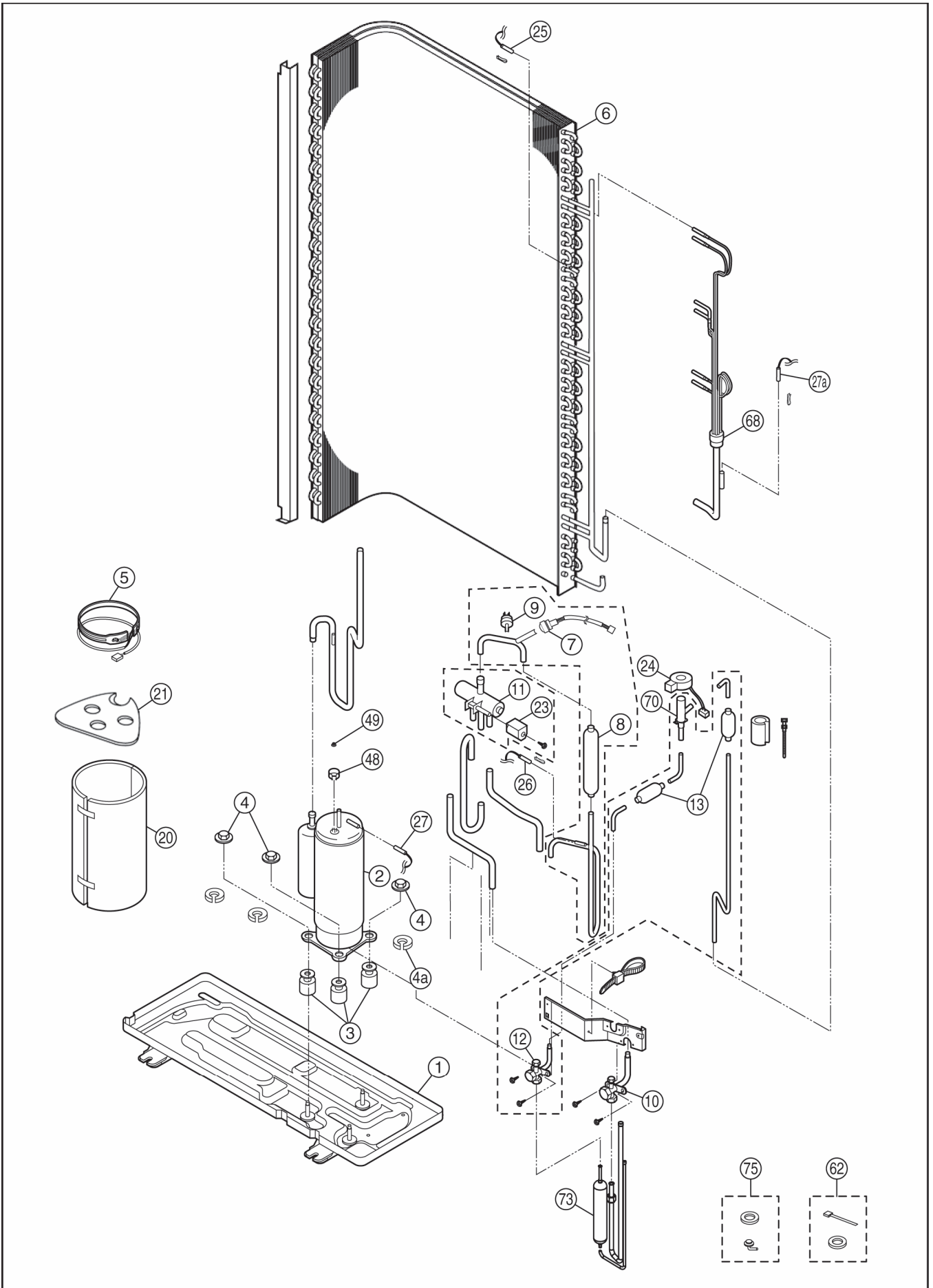
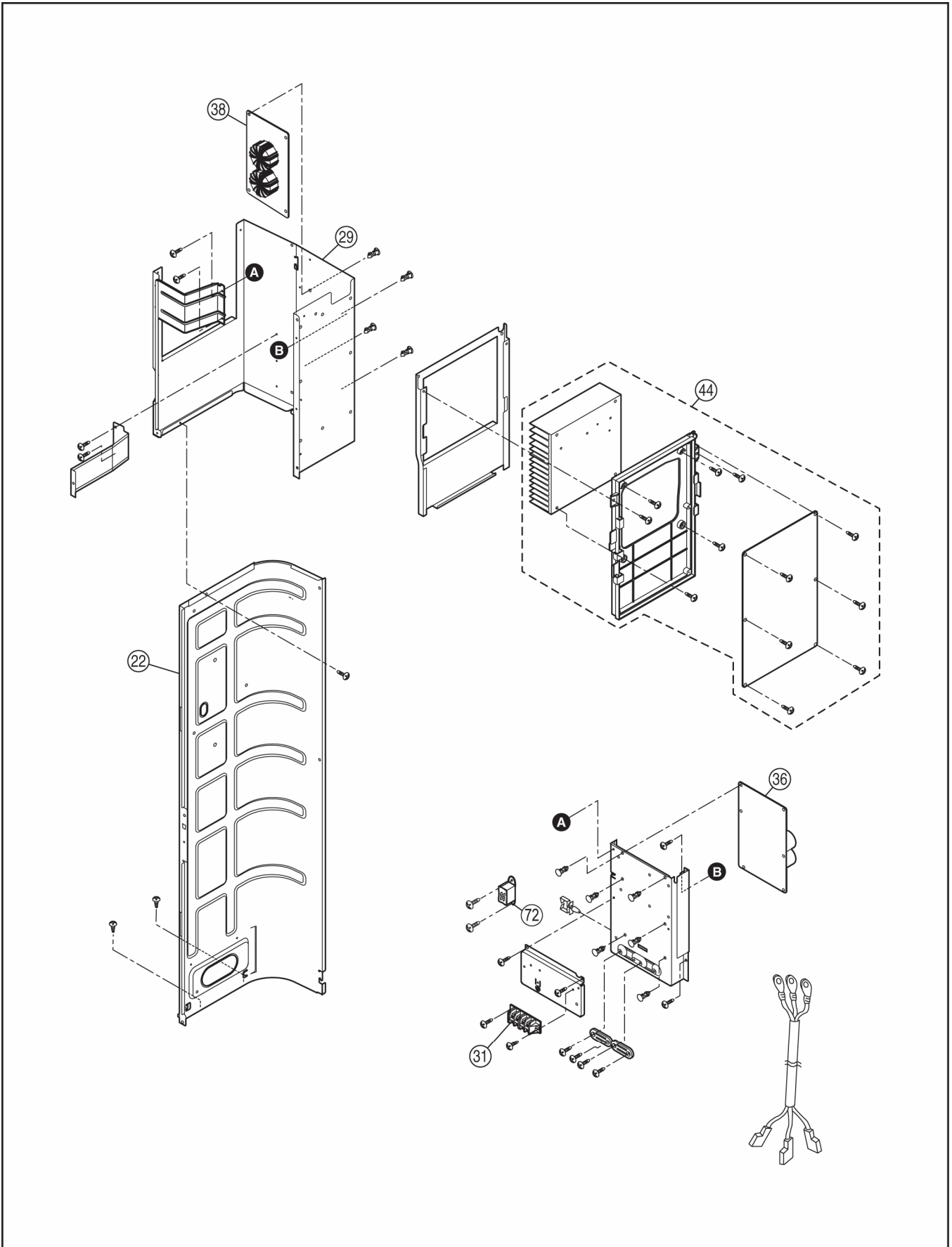


## 19. Exploded View and Replacement Parts List

### 19.1 WH-MDF09C3E5 WH-MDF12C6E5 WH-MDF14C6E5 WH-MDF16C6E5 (Refrigerant System)







**Note:**

- The above exploded view is for the purpose of parts disassembly and replacement.
- The non-numbered parts are not kept as standard service parts.

< Model: Refrigerant System >

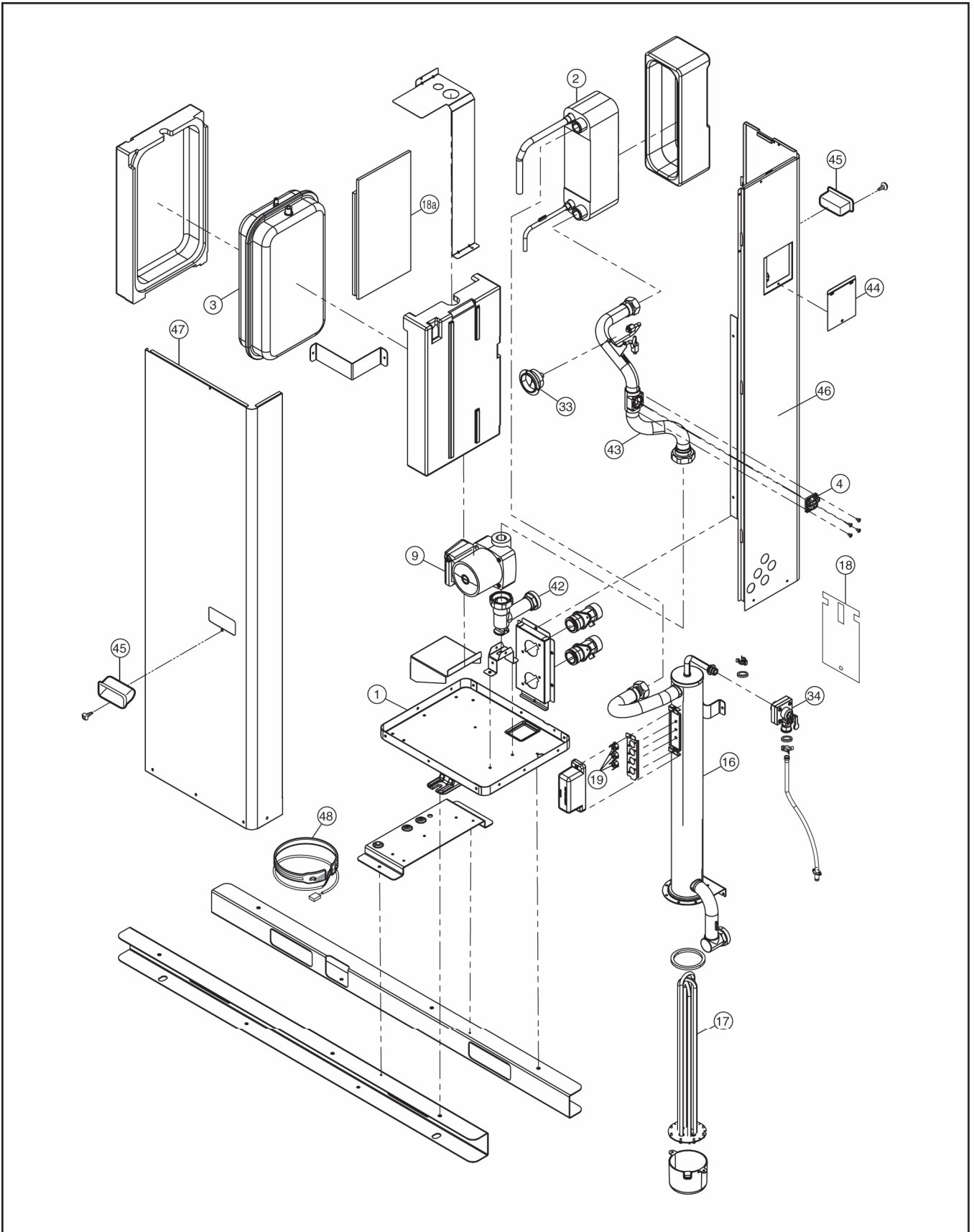
REF. NO.	DESCRIPTION & NAME	QTY.	WH-MDF09C3E5	WH-MDF12C6E5	WH-MDF14C6E5	WH-MDF16C6E5	REMARKS
1	BASE PAN ASS'Y	1	CWD52K1251	←	←	←	
2	COMPRESSOR	1	5JD420XAA22	←	←	←	O
3	ANTI-VIBRATION BUSHING	3	CWH50055	←	←	←	
4	NUT FOR COMP. MOUNT.	3	CWH561049	←	←	←	
4a	PACKING	3	CWB811017	←	←	←	
5	CRANKCASE HEATER	1	CWA341053	←	←	←	
6	CONDENSER COMPLETE	1	CWB32C3035	←	←	←	
7	HIGH PRESSURE SENSOR	1	CWA50C2570	←	←	←	
8	DISCHARGE MUFFLER	1	CWB121014	←	←	←	
9	PRESSURE SWITCH	1	CWA101013	←	←	←	
10	3-WAYS VALVE (GAS)	1	CWB011251	←	←	←	
11	4-WAYS VALVE	1	CWB001046	←	←	←	
12	3-WAYS VALVE (LIQUID)	1	CWB011292	←	←	←	
13	STRAINER	2	CWB111032	←	←	←	
20	SOUND PROOF MATERIAL – COMP	1	CWG302265	←	←	←	
21	SOUND PROOF MATERIAL	1	CWG302266	←	←	←	
22	SOUND-PROOF BOARD ASS'Y	1	CWH15K1019	←	←	←	
23	V-COIL COMPLETE – 4-WAYS VALVE	1	CWA43C2169J	←	←	←	O
24	V-COIL COMPLETE – EXP. VALVE	1	CWA43C2385	←	←	←	O
25	SENSOR-OD TEMP./COIL	1	CWA50C2730	←	←	←	
26	SENSOR-COMP.DISCHARGE	1	CWA50C2576	←	←	←	
27	SENSOR-COMP. TOP	1	CWA50C2629	←	←	←	
27a	SENSOR-COMP. DEF.	1	CWA50C2577	←	←	←	
28	CABINET REAR PLATE	1	CWE02K1019A	←	←	←	
29	CONTROL BOARD CASING	1	CWH10K1049	←	←	←	
31	TERMINAL BOARD ASS'Y	1	CWA28K1213	←	←	←	
36	ELECTRONIC CONTROLLER (CAPACITOR)	1	CWA746169	←	←	←	O
38	ELECTRONIC CONTROLLER (NOISE FILTER)	1	CWA745446	←	←	←	O
44	ELECTRONIC CONTROLLER (MAIN)	1	CWA73C4880R	CWA73C4882R	CWA73C4884R	CWA73C4886R	O
46	REACTOR	2	G0C592J00004	←	←	←	
48	TERMINAL COVER	1	CWH171039A	←	←	←	
49	NUT FOR TERMINAL COVER	1	CWH7080300J	←	←	←	
50	BRACKET FAN MOTOR	1	CWD54K1024	←	←	←	
50a	SCREW-BRACKET FAN MOTOR	2	CWH551040J	←	←	←	
53	FAN MOTOR UPPER	1	EHDS80AAC	←	←	←	O
54	FAN MOTOR BOTTOM	1	EHDS80BAC	←	←	←	O
54a	SCREW-FAN MOTOR	8	CWH551016J	←	←	←	
55	PROPELLER FAN	2	CWH00K1006	←	←	←	
56	NUT for PROPELLER FAN	2	CWH561051	←	←	←	
57	CABINET FRONT PLATE	1	CWE061098A	←	←	←	
58	DISCHARGE GRILLE	2	CWE201073	←	←	←	
59	CABINET SIDE PLATE	1	CWE04K1023A	←	←	←	
60	WIRE NET	1	CWD041103A	←	←	←	
61	CABINET TOP PLATE COMPLETE	1	CWE031140A	←	←	←	
62	ACCESSORY COMPLETE	1	CWH82C1535	←	←	←	
66	CABINET FRONT PLATE	1	CWE061274A	←	←	←	
67	HANDLE	2	CWE161014	←	←	←	
68	TUBE ASS'Y (CAPILLARY TUBE)	1	CWT07K1541	←	←	←	
70	EXPANSION VALVE	1	CWB051028	←	←	←	
72	ELECTRO MAGNETIC SWITCH	1	K6C1AYY00003	←	←	←	

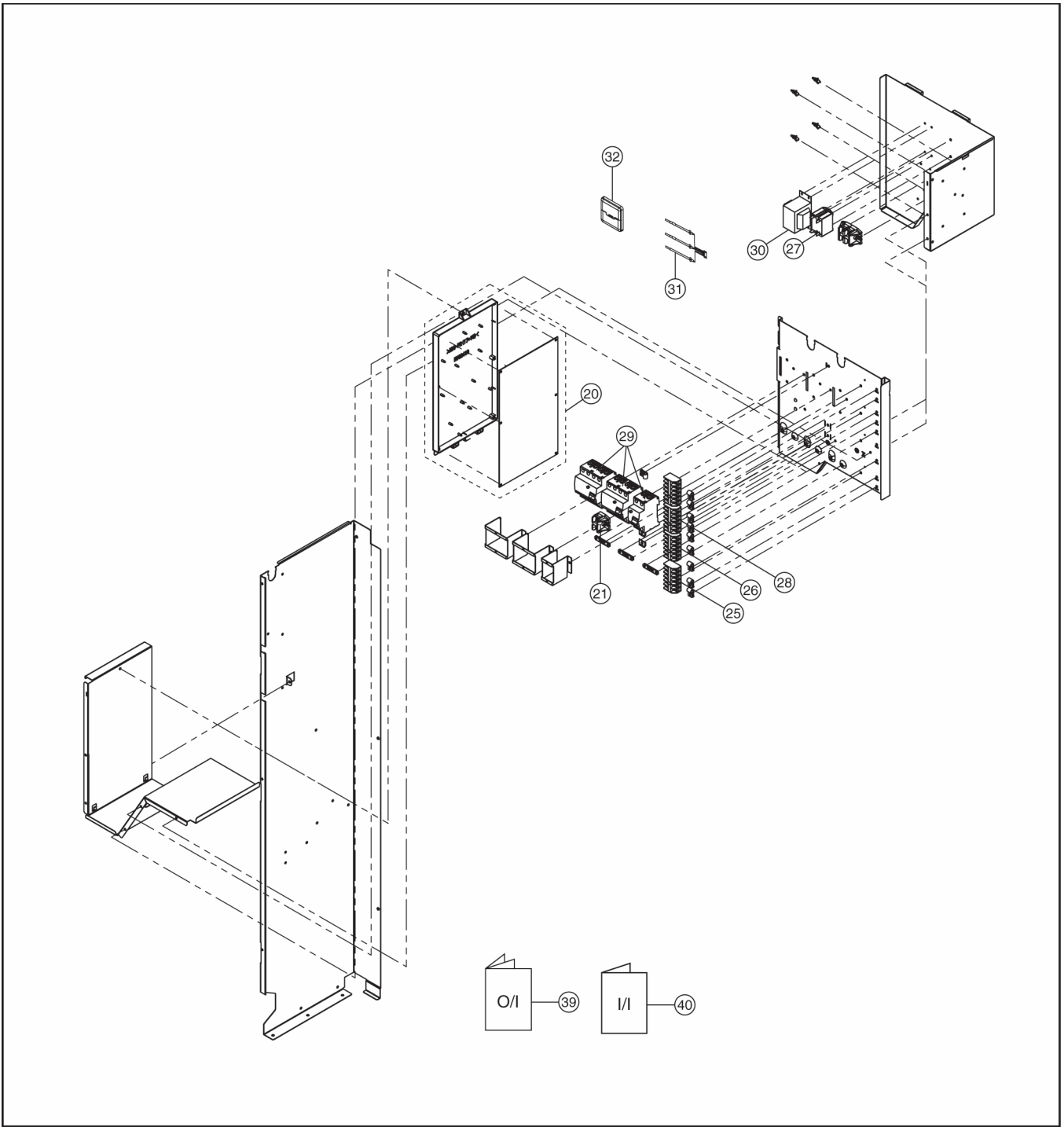
73	RECEIVER	1	CWB141055	←	←	←	
75	ACCESSORY CO. (DRAIN ELBOW)	1	CWG87C2030	←	←	←	

**Note:**

- All parts are supplied from PHAAM, Malaysia (Vendor Code: 00029488).
- "O" marked parts are recommended to be kept in stock.

**19.2 WH-MDF09C3E5 WH-MDF12C6E5 WH-MDF14C6E5 WH-MDF16C6E5  
(Water System)**





**Note:**

- The above exploded view is for the purpose of parts disassembly and replacement.
- The non-numbered parts are not kept as standard service parts.

< Model: Water System >

REF. NO.	DESCRIPTION & NAME	QTY.	WH-MDF09C3E5	WH-MDF12C6E5	WH-MDF14C6E5	WH-MDF16C6E5	REMARKS
1	BASE PAN	1	CWD52K1242	←	←	←	
2	HOT WATER COIL-COMPLETE	1	CWB90C1046	←	←	←	O
3	RECEIVER	1	CWB141039	←	←	←	
4	FLOAT (FLOW SWITCH)	1	CWB601008	←	←	←	O
9	PUMP	1	CWB532096	←	←	←	O
16	BOTTLE COMPLETE	1	CWH90C0018	CWH90C0013	←	←	
17	HEATER ASS'Y	1	CWA34K1014	CWA34K1020	←	←	O
18	SOUND PROOF MATERIAL	1	CWG302593	CWG302592	←	←	
18a	SOUND PROOF MATERIAL	1	CWG302594	←	←	←	
19	THERMOSTAT	2/3	CWA151065	←	←	←	O
20	ELECTRONIC CONTROLLER-MAIN	1	CWA73C4881R	CWA73C4883R	CWA73C4885R	CWA73C4887R	O
21	TERMINAL BOARD ASS'Y	1	CWA28K1200	←	←	←	
25	TERMINAL BOARD ASS'Y	1	CWA28K1211	←	←	←	
26	TERMINAL BOARD ASS'Y	1	CWA28K1221	←	←	←	
27	ELECTRO MAGNETIC SWITCH	1	K6C1AYY00004	←	←	←	O
28	TERMINAL BOARD ASS'Y	1	CWA28K1222	←	←	←	
29	RESIDUAL CURRENT CIRCUIT BREAKER	2/3	CWA181005	←	←	←	O
30	TRANSFORMER-COMPLETE	1	CWA40C1075	←	←	←	O
31	SENSOR-COMPLETE	1	CWA50C2749	←	←	←	O
32	REMOTE CONTROL COMPLETE	1	CWA75C3687	←	←	←	O
33	PRESSURE GAUGE	1	CWB070001	←	←	←	O
34	PRESSURE RELIEF VALVE	1	CWB621011	←	←	←	O
39	OPERATING INSTRUCTION	1	CWF567560	←	←	←	
40	INSTALLATION INSTRUCTION	1	CWF614517	←	←	←	
42	TUBE CONNECTOR-COMPLETE	1	CWT29C1050	←	←	←	
43	TUBE CONNECTOR-COMPLETE	1	CWT29C1055	←	←	←	
44	CONTROL BOARD COVER	1	CWH131420A	←	←	←	
45	HANDLE	2	CWE161014	←	←	←	
46	CABINET SIDE PLATE ASS'Y	1	CWE04K1060A	←	←	←	
47	CABINET FRONT PLATE	1	CWE061257A	←	←	←	
48	CRANKCASE HEATER	1	CWA341071	←	←	←	

**Note:**

- All parts are supplied from PHAAM, Malaysia (Vendor Code: 00029488).
- "O" marked parts are recommended to be kept in stock.